

MULTI-UNIT ABUTMENT (MUA), ANGLED

Use Angled MUAs for paralleling abutments in non-aligned implants. The Implant One MUA line has 17° and 30° angles available.



17° angle



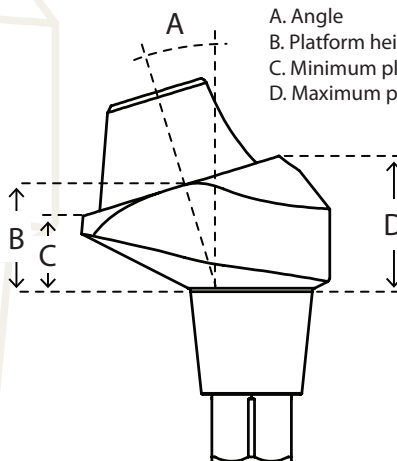
30° angle

300 series	400 series	500 series	Angle	Platform height	Minimum platform height	Maximum platform height
			A	B (mm)	C (mm)	D (mm)
MUA-0325-17	MUA-0425-17	MUA-0525-17	17°	2.5	1.79	3.12
MUA-0335-17	MUA-0435-17	MUA-0535-17	17°	3.5	2.79	4.12
MUA-0325-30	MUA-0425-30	MUA-0525-30	30°	2.5	1.33	3.64
MUA-0335-30	MUA-0435-30	MUA-0535-30	30°	3.5	2.33	4.12

Install with an .050" driver.



(Cut-away view)



A. Angle
B. Platform height
C. Minimum platform height
D. Maximum platform height

Specifications
Platform Heights: 2.5 mm & 3.5 mm
Angles: 17° & 30°

MUA Accessories

See page 22 for details.

