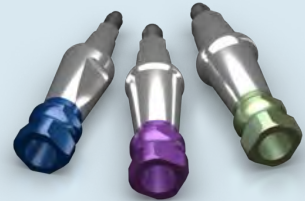




IMPLANT ONE CARRIER FEATURES

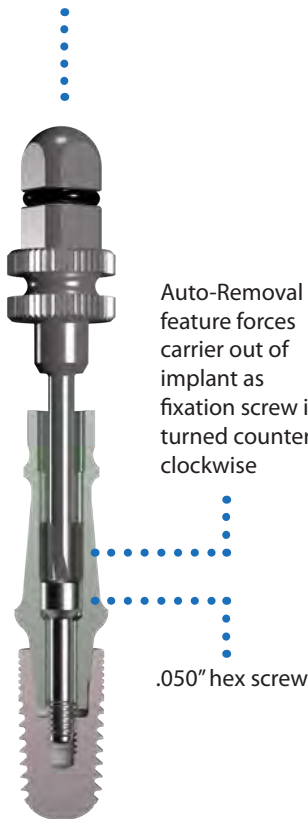
Implant One Carriers are the means by which the implant is transferred to the osteotomy.

- Made from 6AL4V E.L.I. Titanium.
- Exclusive Auto-Removal feature simplifies removal of the carrier from the implant after it is stabilized in the osteotomy.
- The carrier can be cut off and used as a temporary abutment.
- Supplied with every Implant One implant.



Screw can be loosened using a Hand Piece Driver, or a Ratchet/Finger Driver

Handpiece adapter or thumb knob snaps onto carrier allowing for easy, sterile transfer from packaging to osteotomy



Color-coded anodization for easy platform identification



SPECIFICATIONS

Material: 6AL4V E.L.I. Titanium
 Profile Diameter: 4.5 mm – 5.5 mm
 .050" hex interface

